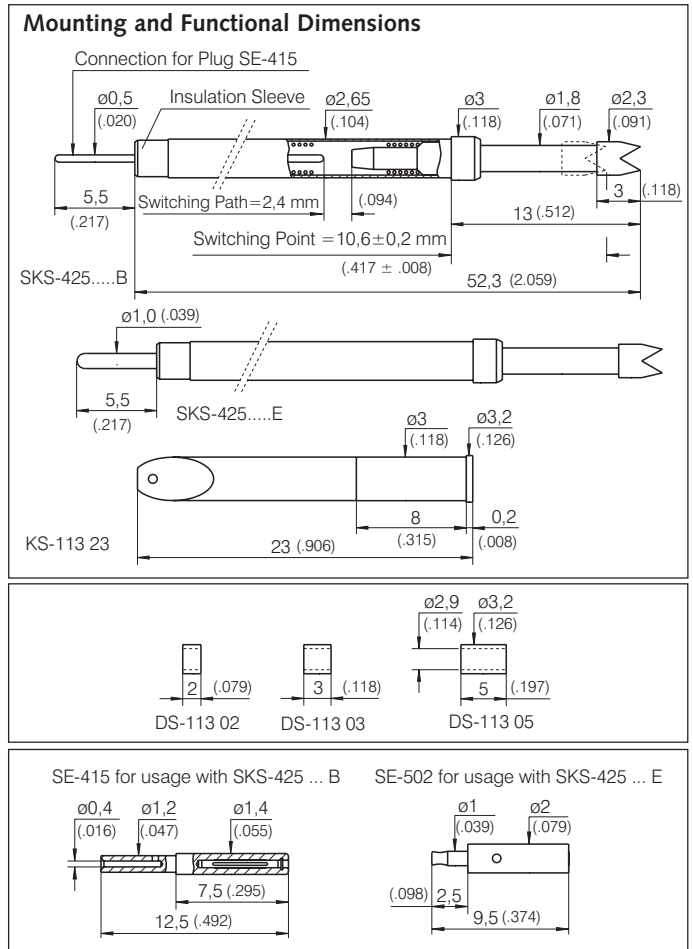


Switching Probe with long Stroke  
 Installation Height: 13,0 mm (.512)  
 Switching Path: 2,4 mm (.094)

Grid:  
 ≈ 3,50 mm  
 ≈ 140 Mil

# SKS 425

Available Tip Styles					
Material	Tip Style	Standard Plating	Special Versions		
			Ø	Øinch	
0	02	A	5,00	(.197)	
3	04	A			
3	06	A	4,00 R	(.157)	



### Electrical Data

Current Rating: 5 A

### Mounting Hole Size

with Receptacle:  $\phi 2,98 - 2,99$  mm (.1173- .1177)  
 without Receptacle:  $\phi 2,65$  mm (.1043)

### Materials

Plunger: BeCu, gold-plated (or gold-plated with Insulator Cap)  
 Barrel: Brass, gold-plated  
 Spring: Steel, gold-plated  
 Receptacle: Brass, gold-plated

### Note:

The Receptacle can be used from Grid 4,5 mm (180 Mil) up.

### Tools:

Insertion and Extraction tools for SKS and KS > see Page 80.

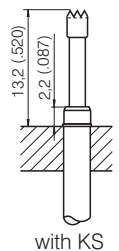
### Mechanical Data

Switching Path: 2,4 mm (.094) ± 0,2 (.008)  
 Maximum Stroke: 8,0 mm (.315)  
 Spring Force at Switching Point: 0,9 N (3.2oz)  
 Spring Force 80% Stroke: 2,5 N (9.0oz)

### Collar Height and Installation Height

The Installation Height of the Tip (Dimension without KS) is determined by the Collar Height.

Collar Height	Installation Height (without KS)
02	13,0 mm (.512)



### Ordering Example:

Series	Tip Material 0 = Delrin 3 = BeCu	Tip Style	Tip Diameter (1/100 mm)	Plating A = Gold	Spring Force (dN)	Collar Height (mm)	Type (alternative E)
Test Probe:							SKS 425 3 04 2 3 0 A 2 5 0 2 B
Receptacle:							KS - 1 1 3 2 3
Spacers:							DS - 1 1 3 0 2 DS - 1 1 3 0 3 DS - 1 1 3 0 5
Lamellar Plug:							SE - 4 1 5 SE - 5 0 2