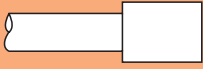

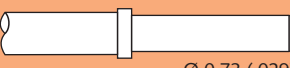
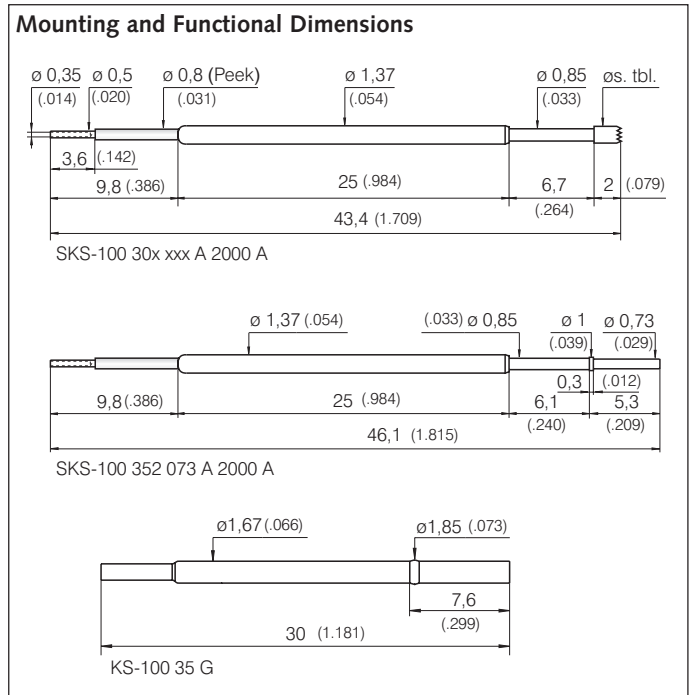


# SKS 100

Grid:  
 ≥ 2,54 mm  
 ≥ 100 Mil

Switching Probe  
 Installation Height: 16,4 / 19,1 mm (.646/.752)  
 Switching Path: 4,0 mm (.157)

Available Tip Styles				
Material	Tip Style	Standard Plating	Special Versions	
			Ø	Øinch
3	02 	A	Ø 1,00 (.039)	
3	06 	A	Ø 1,00 (.039)	
3	52 	A	Ø 0,73 (.029)	



### Mechanical Data

Switching Path: 4,0 mm (.157) ± 0,2 (.008)  
 Recommended Work. Stroke: 5,0 mm (.197)  
 Maximum Stroke: 6,0 mm (.236) resp. 6,3 mm (.248)

Spring Force (dN)	Spring Force at Switching Point	Spring Force at Working Stroke
20	1,0 N (3.6oz)	2,0 N (7.2oz)

### Collar Height and Installation Height

To adjust the Installation Height Receptacles with a Press-ring are used. The Receptacles can be inserted up to the Press-ring or with the Press-ring pressed into the mounting hole.

Tip Style	Installation Height with KS	Maximum Stroke
02 / 06	16,4 mm (.646) / var.	6,3 mm (.248)
52	19,1 mm (.752) / var.	6,0 mm (.236)

### Electrical Data

Current Rating: 3 A

### Mounting Hole Size

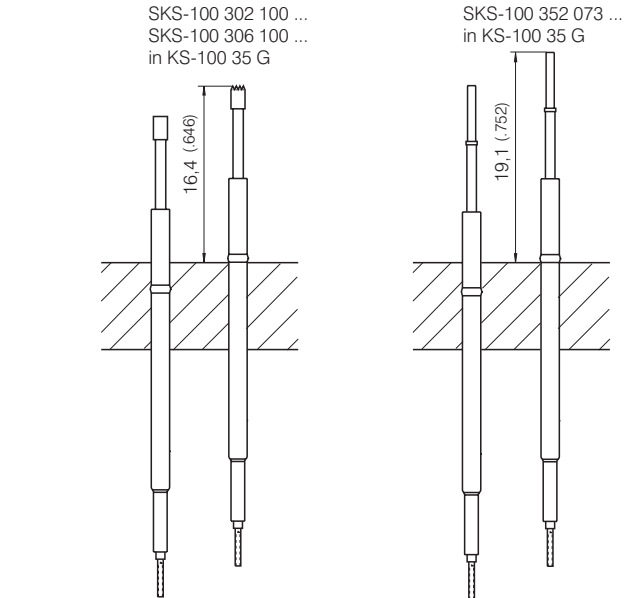
when pressing the Press-ring into the Mounting Hole in CEM 1 and FR 4: Ø 1,70 - 1,75 mm (.067 - .069)

### Press-ring as a Collar-stop

in CEM 1: Ø 1,68 - 1,69 mm (.0661 - .0665)  
 and FR 4: Ø 1,69 - 1,70 mm (.0665 - .0669)

### Materials

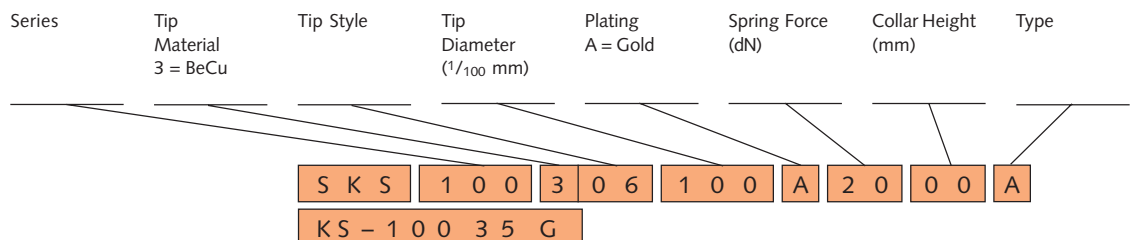
Plunger: BeCu, gold-plated  
 Barrel: Bronze, gold-plated  
 Spring: Steel, gold-plated  
 Contact Terminal: Brass, gold-plated  
 Insulator: Peek  
 Receptacle: Nickel silver, gold-plated



**Application Areas:**  
 - Combined component test with presence check  
 - active switching element

**Note**  
 Warning: do not solder the cable to the crimp points of the Receptacle.  
 Insertion and Extraction Tools for SKS and KS > see Page 80.

### Ordering Example:



Test Probe:

Receptacle:

All specifications are subject to change without prior notification