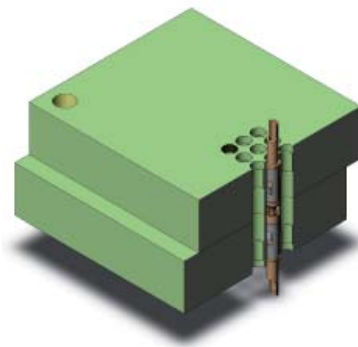


Product Information

KT-375 HL-B und KT-375 HL-S Hyperbolic Interface Contacts with Solder Connection

An unlimited number of advantages result from the hyperbolic-positioned contact wires, which lay around and against the Pin in lines around the complete 360° circumference.

- + Extremely low transition resistances
- + Very large internal contact surface
- + High voltage and current capability
- + Small contact diameter with high performance diameter
- + Extremely low insertion and extraction forces
- + Exceptionally long life
- + Little wear
- + Practically no maintenance requirements
- + Reduction of the process costs
- + Highest shock and vibration steadfastness
- + Stable electrical and mechanical characteristics during the total life of the components
- + Environmental durability
- + Protected against high humidity and contamination
- + Self-cleaning contact surfaces



Hyperbolic Contact Wires

Materials:

Hyperbolic wires:	CuBe
Contact body:	Brass
Plating:	Gold

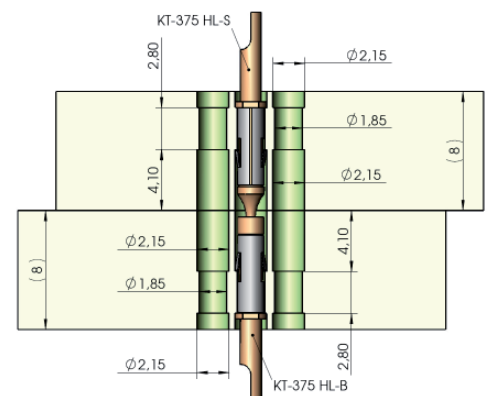
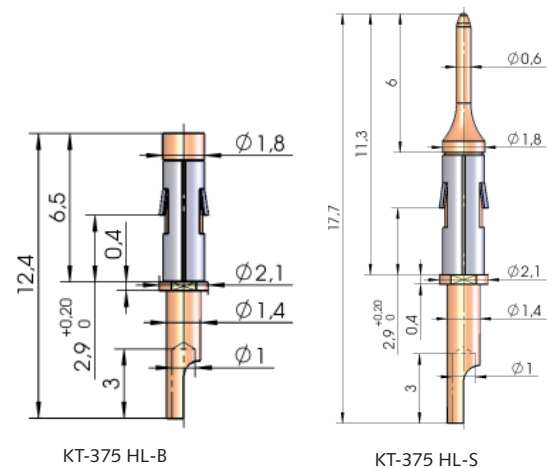
Electrical and mechanical characteristics of Contact Pin ø 0.60 mm / 100mil (2.54 mm) grid

Transition resistance:	< 5 mOhm
Current Transfer:	4 A
Extraction force:	0.14 – 0.91 N
Number of plug-in cycles:	up to 100,000

Ordering information:

Contact Socket / Female:	KT-375 HL-B
Pin Contact / Male:	KT-375 HL-S
Extraction Tool:	ZW-KT-375-H

Prices and delivery times on request.
 Technical changes possible.



Example for assembly